

FR008 High Precision Clamp Current Sensor



I . Characteristic

The FR008 clamp-type current sensor is a high-precision AC current converter. It is designed with a clamp-type structure. It can be freely taken and placed quickly and easily during use. The compact size is easier to carry and more convenient to use. It is suitable for detection of AC current, leakage current, high harmonic current, phase, electric energy, power, power factor, etc.

FR008 can be used with a variety of measuring instruments, such as: electric energy meter field calibrator, multi-function electric energy meter, oscilloscope, digital multimeter, cable identification instrument, cable fault detector, double clamp ground resistance tester, double clamp phase voltage Ammeters, three-phase digital phase voltmeters, etc., can measure and compare various electrical parameters in the state of uninterrupted power. Widely used in substations, power plants, industrial and mining enterprises, testing stations, electrical maintenance departments for current testing and field electrical work.

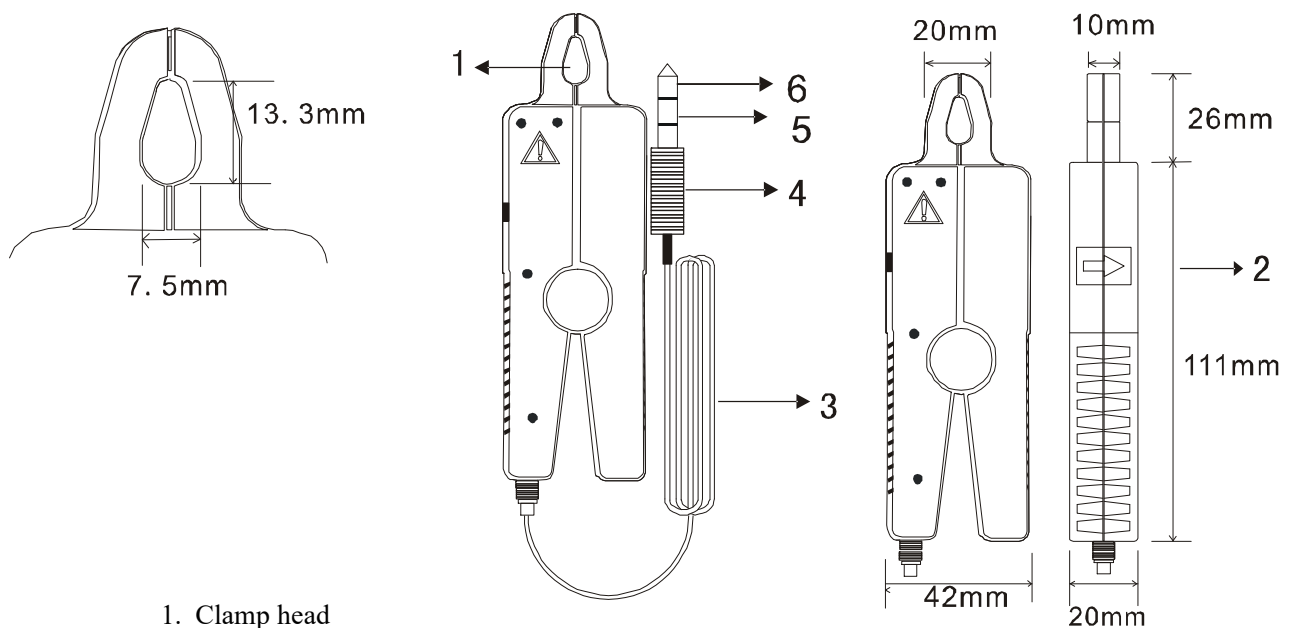
II . Technical Specification

Features	Portable CT clamp-shaped structure, safe and convenient to use
Jaw size	$\Phi 7.5\text{mm}$
Range	AC 0~30A
Resolution	AC 0.01mA
Accuracy	$\pm 0.2\%FS(50\text{Hz}/60\text{Hz}; 23^{\circ}\text{C}\pm 2^{\circ}\text{C})$
Phase error	$\leq 2^{\circ}(50\text{Hz}/60\text{Hz}; 23^{\circ}\text{C}\pm 2^{\circ}\text{C})$
Turns ratio	2500:1 (Optional 2000:1; 1000:1)
Reference Load	RL: 0~300mA $\leq 100\Omega$; 0~3A $\leq 10\Omega$; 0~30A $\leq 5\Omega$

Dimensions	Length 42mm×thickness 20mm×height 137mm
Output Interface	3.5mm audio plug
Output cable length	2m
Quality	180g
Output method	Current sense output
Shell material	ABS resin, flame retardant grade 94V0
Line voltage	Tested at 600Vac (insulated wire) 30Vac (bare wire)
Operating temperature	-25° C to +55° C
Insulation resistance	100 MΩ @ 500Vdc
Medium strength	AC3700V/rms (between core and shell)
Current frequency	45Hz~65Hz (current frequency to be measured)
Frequency characteristics	10Hz~100kHz

III. Dimensions

1. External Dimensions



1. Clamp head
2. Direction mark identification (identify the same name when detecting phase)
3. Output leads
4. Sensor output plug (ϕ 3.5mm audio plug)
5. Coil tap
6. Coil tap

GuangZhou ZhengNeng Electronics Technology Co.LTD

Address: 4th Floor, No. 771, Guangcong Eighth Road, Changyaoling Village, Zhongluotan Town, Baiyun District, Guangzhou, China

Tel: 86-20-36544172

E-mail: sales@fuzrr.com

Post code: 510540

Website: <https://www.fuzrr.com>