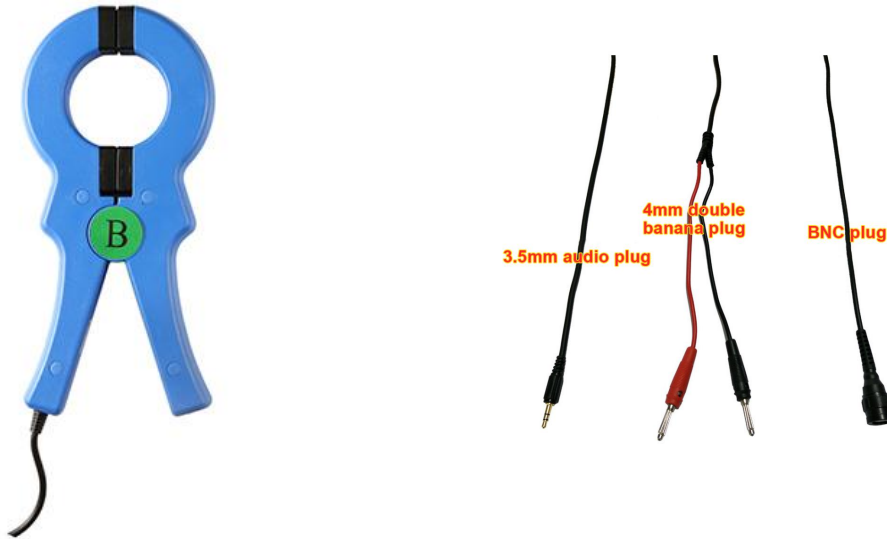


## FR050 Clamp Current Sensor



### I . Characteristic

FR050 clamp-type current sensor is a high-precision AC current converter, adopts the latest CT technology, and has a circular large-diameter structure design. It can be freely taken and placed quickly and easily during use. It is suitable for detection of AC current, higher harmonic current, phase, electric energy, power, power factor, etc.

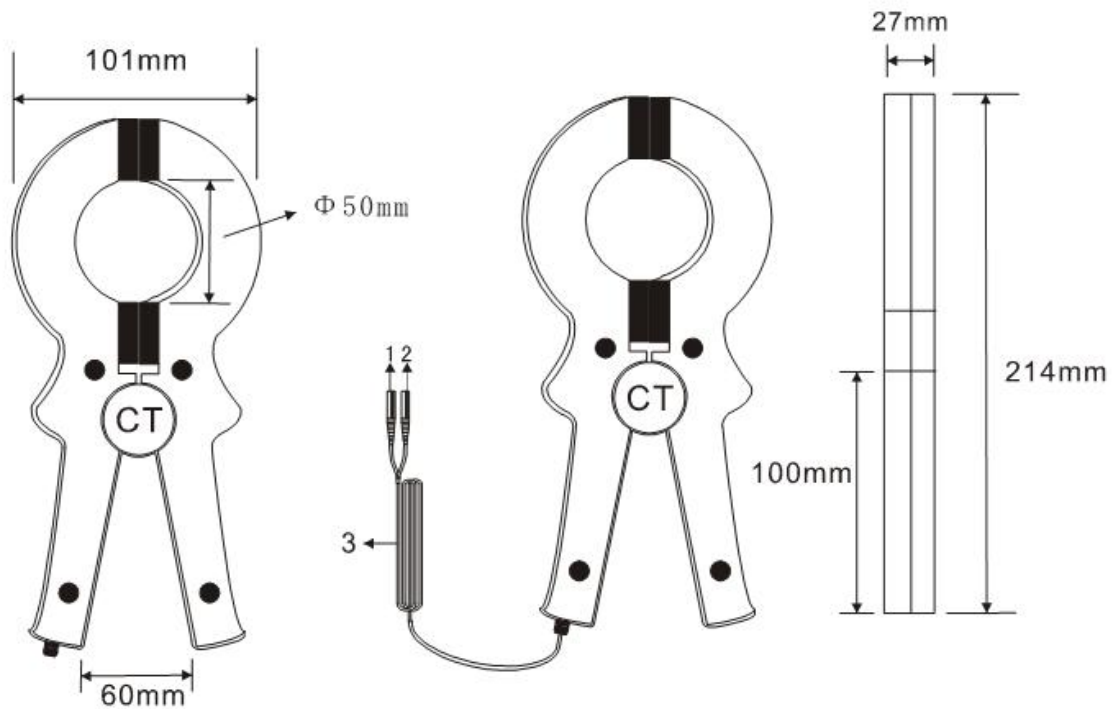
FR050 can be used with a variety of measuring instruments, such as: electric energy meter field calibrator, harmonic analyzer, recorder, multi-function electric energy meter, oscilloscope, digital multimeter, cable identification instrument, cable fault detector, double clamp grounding resistance Testers, double-clamp phase voltmeters, etc., can measure and compare various electrical parameters in the state of uninterrupted power. Widely used in substations, power plants, industrial and mining enterprises, testing stations, electrical maintenance departments for current testing and field electrical work.

### II . Technical Specification

Features	Portable CT clamp-shaped structure, safe and convenient to use
Jaw size	Φ50mm
Range	AC 0.0mA~1000A
Resolution	AC 0.1mA
Accuracy	±0.5%FS (50Hz/60Hz; 23℃±2℃)
Phase error	≤3°(50Hz/60Hz; 23℃±2℃)
Turns ratio	500:5 (can be customized as needed)
Reference load	RL: 0~100mA≤300Ω; 0~10A≤30Ω; 0~1000A≤0.3Ω

Quality	470g
Dimensions	Width, height and thickness 101mm×214mm×27mm
Output Interface	4mm banana plug or audio plug
Output cable length	2m
Output method	Current sense output
Shell material	ABS resin, flame retardant grade 94V0
Line voltage	Tested at 600Vac (insulated wire) 30Vac (bare wire)
Operating temperature	-25° C to +55° C
Insulation resistance	100MΩ@500Vdc
Medium strength	AC3700V/rms (between core and shell)
Current frequency	45Hz~65Hz (current frequency to be measured)
Frequency characteristics	10Hz~100kHz

### III. Dimensions



Address: 4th Floor, No. 771, Guangcong Eighth Road, Changyaoling Village, Zhongluotan Town, Baiyun District, Guangzhou, China

Tel: 86-20-36544172

E-mail: [sales@fuzrr.com](mailto:sales@fuzrr.com)

Post code: 510540

Website: <https://www.fuzrr.com>